

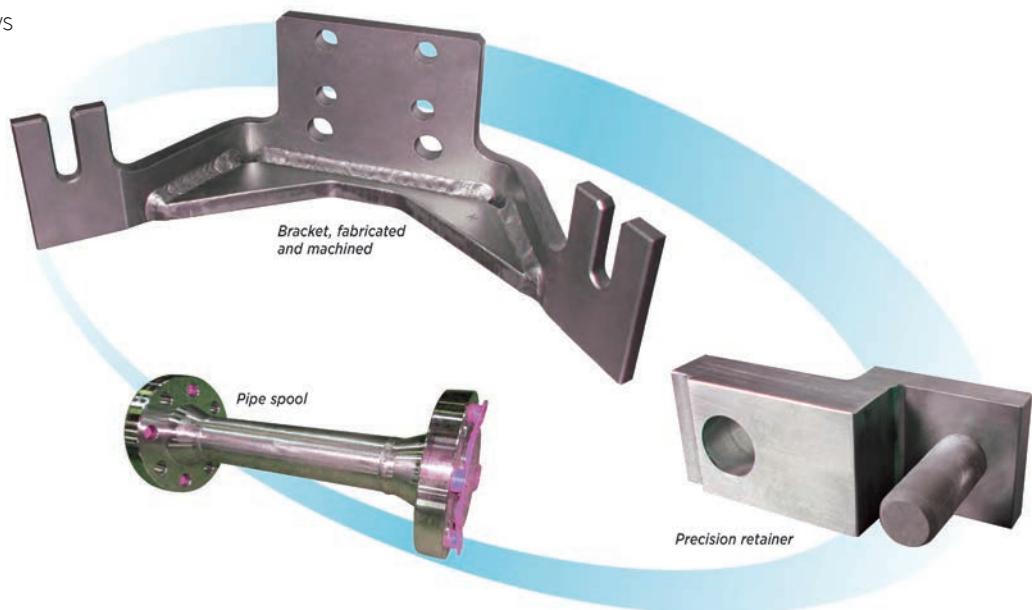


# Combustion Parts for Power Generation

INNOVA Consolidated Fabricators™ (ConFab) supplies a wide range of high temperature, corrosion resistant combustion system parts for power generation, including seals, retainers, brackets, wirelocks and more.

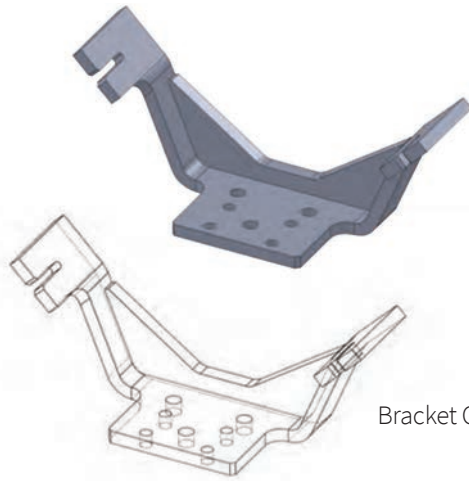
ConFab meets or exceeds stringent customer expectations for tight tolerances on precision fabricated components requiring forming, welding, CNC machining and CMM inspection. Parts are fabricated from an extensive offering of alloys, including:

- All grades of stainless steel
- Inconel® alloys
- Hastalloy® alloys
- Aluminum alloys
- Copper alloys



## Research, Design and Prototyping Services

INNOVA Consolidated Fabricators can help you with better parts. Bring your challenging situation to our engineers and we can research, diagnose and design an improved version of an existing combustion part. Design and produce production tooling, along with soft tooling designs for prototyping and short runs can be accommodated within our Engineering and Manufacturing programs.



Bracket CAD Drawing

Locking Device



Lock Plate

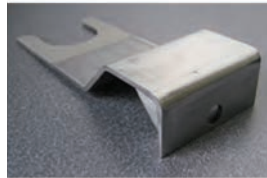


Tube



Collar

Retainers



Seals



CONTACT US TODAY



INNOVA-gl.com | ConsolidatedFabricators.com | info@INNOVA-gl.com