



Comprehensive 7F Diffuser Solutions

AN INTEGRATED SYSTEMS APPROACH TO EXTEND THE LIFE AND IMPROVE PERFORMANCE OF 7F DIFFUSER INTERNAL COMPONENTS

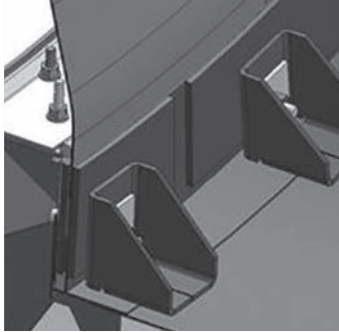
- Avoid Unscheduled Outages
- Reduce Exhaust Gas Leakage
- Lower External Surface Temperatures
- Improve Personnel Safety



A Comprehensive, Integrated Approach to 7F Diffuser Aging

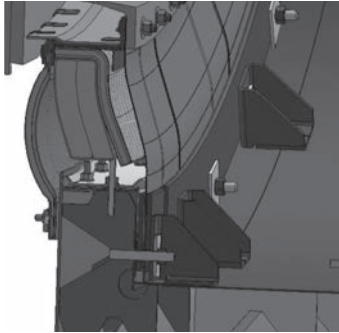
As a preferred supplier to Gas Turbine OEMs for over 50 years, INNOVA Global and our dedicated group of companies are uniquely qualified in its understanding of your entire GT system. Our new comprehensive approach to 7F diffuser upgrades provides an integrated method to extend the life and improve the performance of your 7F internals.

We offer multiple engineered solutions that can be applied individually or together as a comprehensive system.



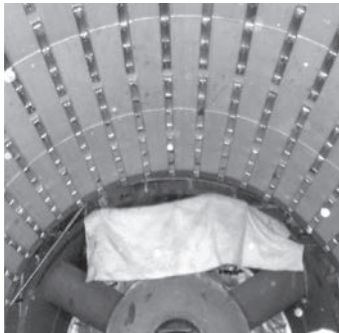
Flex Seal Upgrades

Comprehensive repair and upgrade kits address excessive leakage caused by weld failures, stud failures, excessive deflection of clamp bars, and misalignments. Upgrades include advanced weld processes, reinforced clamp bar supports along with the standard critical hardware.



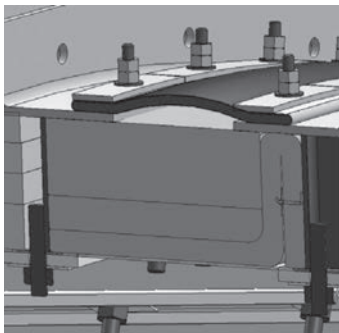
Forward Flex Belt

All-new approach to reduce leakage, reduce temperatures, and improve personnel safety. The new design includes an advanced flex belt mounting system, an insulation bolster system, expansion joint belt and all necessary hardware for installation. This system is designed to be installed over the flex seal upgrade kit.



Internal Liner System

New system has improved vibrational response and thermal allowances. Design includes upgraded stud to support bar welding, eliminates forward facing liner overlaps and field joint liners and utilizes upgraded geometry, materials, welding processes, and specialized installation fixturing.



Aft Expansion Joint

Comprehensive upgrade kit addresses insulation shrinkage and subsequent premature expansion joint failures. Upgrade kit includes internal liners and liner supports, pre-manufactured cavity fill pillows, expansion joint belt, and associated hardware.

CONTACT US TODAY



INNOVA-gl.com | Braden.com | info@INNOVA-gl.com